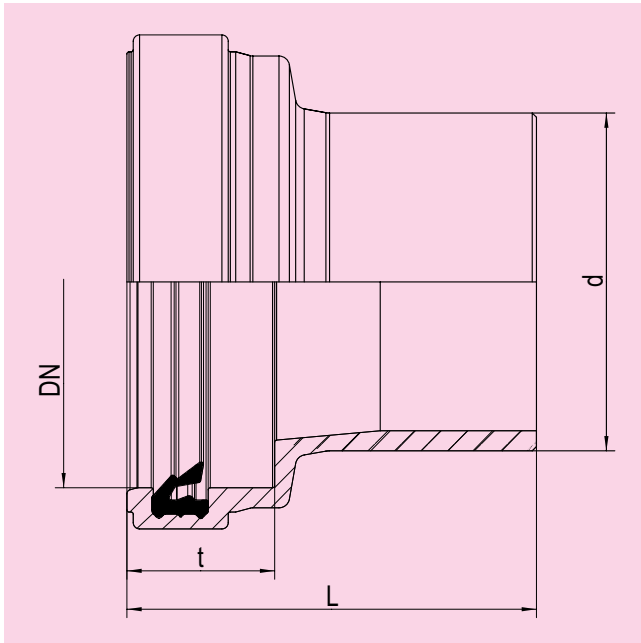


# FRIAFIT® USTZ adapter

for the connection of stoneware pipes with FRIAFIT® AM coupler or a FRIAFIT® ASA-TL sewage saddle,  
for HD-PE pipes SDR 33 – SDR 17  
**PE 100**

Maximum test pressure 0.5 bar (according to DIN EN 1610)



d/DN	Order Ref.	Stock-status	BX	PU	L	t	Weight kg/each
160/150	<b>682623</b>	1	2	36	194	70	1,250

# **FRIAFIT® USTZ adapter** **for the connection of stoneware pipes with FRIAFIT®** **AM coupler or a FRIAFIT® ASA-TL sewage saddle,** **for HD-PE pipes SDR 33 – SDR 17** **PE 100**

Maximum test pressure 0.5 bar (according to DIN EN 1610)

Sewage pipe systems represent top quality economic goods with a value which needs to be maintained for a long time. Increasing demands made on public sewage system require materials which meet these criteria. For many years HD-PE sewage pipes have been welded using the FRIAFIT® HD-PE sewage system – tight, with axial force and perfectly rooted.

## **Areas of application**

The FRIAFIT® USTZ adapter serves as a smooth connection between HD-PE pipes (wall thickness ratio from SDR 33 to SDR 17) and stoneware pipes in service connections.

## **Advice on processing**

Welding the spigot part of the USTZ adapter with a FRIAFIT® AM d 160 coupler or a FRIAFIT® ASA-TL sewage saddle, d 160 outlet, takes place using the FRIAFIT® fusion method – tight and with axial force. The USTZ spigot part is prepared (remove oxidic layer/clean) according to the general installation instructions (see “installation instructions” for the FRIAFIT® sewage system). The stoneware pipe is inserted into the side where the push-fit coupler sits. The push-fit coupler has a SBR lip seal gasket and a large insertion depth for safe guidance of the pipe.

## **Seven good reasons for the FRIAFIT® USTZ adapter**

### Spigot part

- **Safeguards tight and perfectly rooted connection with axial force**
- **FRIAFIT® fusion for the connection of USTZ with AM coupler or ASA-TL service saddle.**
- **Smooth connection between materials when using HD-PE SDR 33 – SDR 17 pipe, no deposit in the area of the joint, no flow obstruction**

### Push-fit part

- **Safe guidance of the stoneware pipe due to large insertion depth**
- **SBR lip seal gasket according to EN 681-1**
- **Standardised connection between materials**
- **Simple assembly of stoneware pipes**

Please find our datasheets for downloading on the internet at [www.friafit.com](http://www.friafit.com)

**For further information, please call our customer service staff and specialist advisers.**

FRIATEC Aktiengesellschaft · Technical Plastics Division  
P.O.B. 71 02 61 · D-68222 Mannheim  
Telephone +49 621 486-1431 · Telefax +49 621 479196  
[www.friafit.com](http://www.friafit.com) · [info-friafit@friatec.de](mailto:info-friafit@friatec.de)

